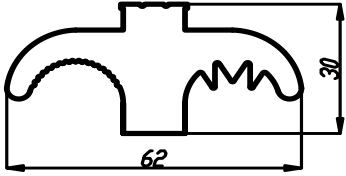
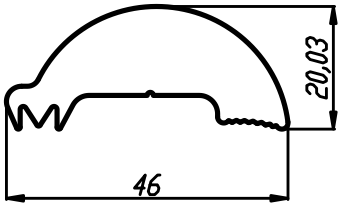
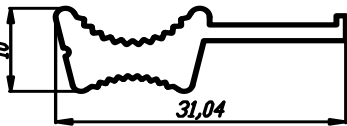
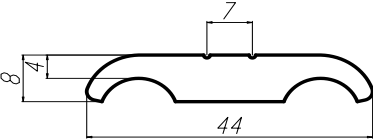
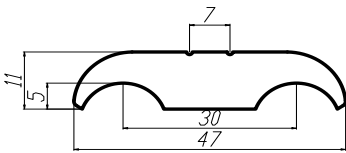
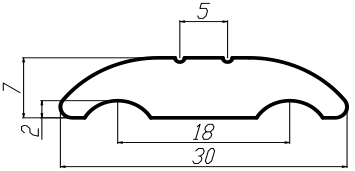
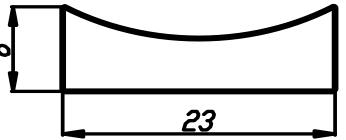
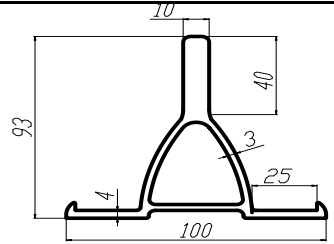
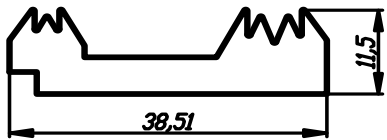


|  |   |
|--|---|
| <b>AP 419</b><br>S=8,413 cm <sup>2</sup><br>M=2,28 kg/m<br>D=69 mm     |    |
| <b>AP 420</b><br>S=5,2976 cm <sup>2</sup><br>M=1,44 kg/m<br>D=46 mm    |    |
| <b>AP 421</b><br>S=1,2611 cm <sup>2</sup><br>M=0,342 kg/m<br>D=32,6 mm |   |
| <b>AP 473</b><br>S=2,534 cm <sup>2</sup><br>M=0,687 kg/m<br>D=44,7 mm  |  |
| <b>AP 474</b><br>S=3,261 cm <sup>2</sup><br>M=0,884 kg/m<br>D=48 mm    |  |

|  |   |
|--|---|
| <b>AP 475</b><br>S=1,5 cm <sup>2</sup><br>M=0,407 kg/m<br>D=30,7 mm    |    |
| <b>AP 488</b><br>S=1,3792 cm <sup>2</sup><br>M=0,374 kg/m<br>D=24,4 mm |    |
| <b>AP 518</b><br>S=11,22 cm <sup>2</sup><br>M=3,04 kg/m<br>D=106,8 mm  |   |
| <b>AP 613</b><br>S=2,77 cm <sup>2</sup><br>M=0,751 kg/m<br>D=39,2 mm   |  |